



Scholtès

DE

Deutsch, 10

EN

English, 14

FR

Français, 19

NL

Nederlands, 23

IT

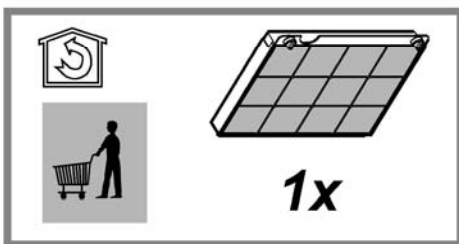
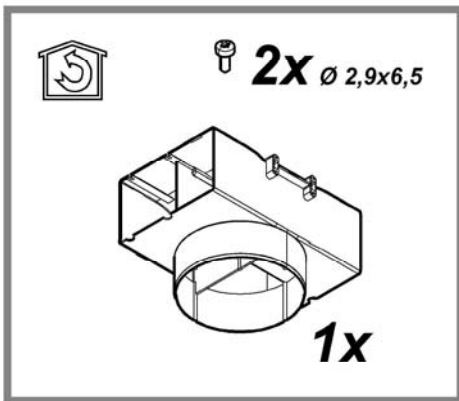
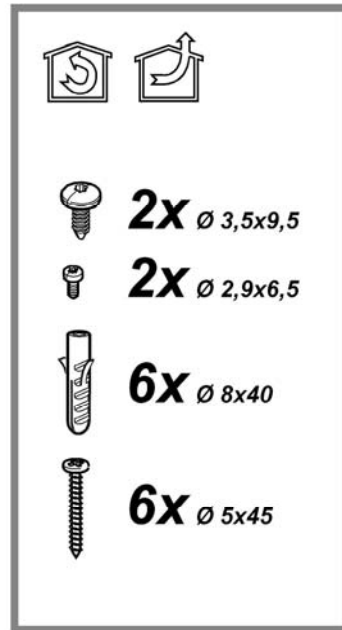
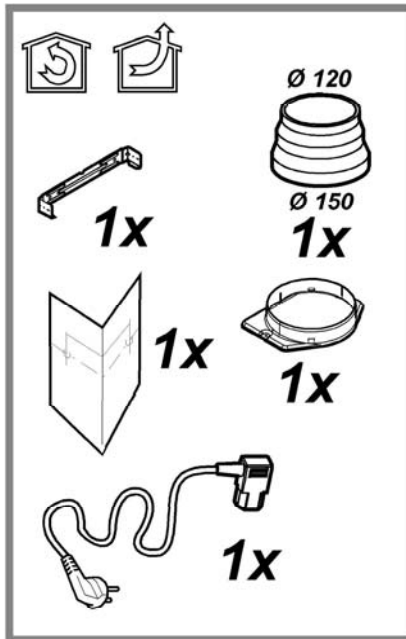
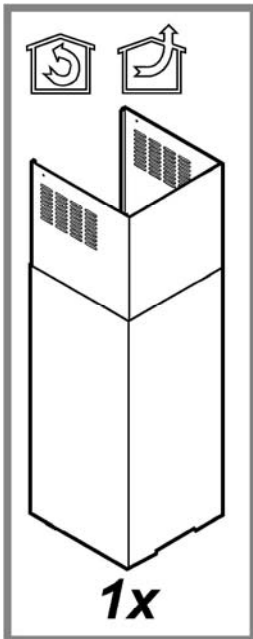
Italiano, 27

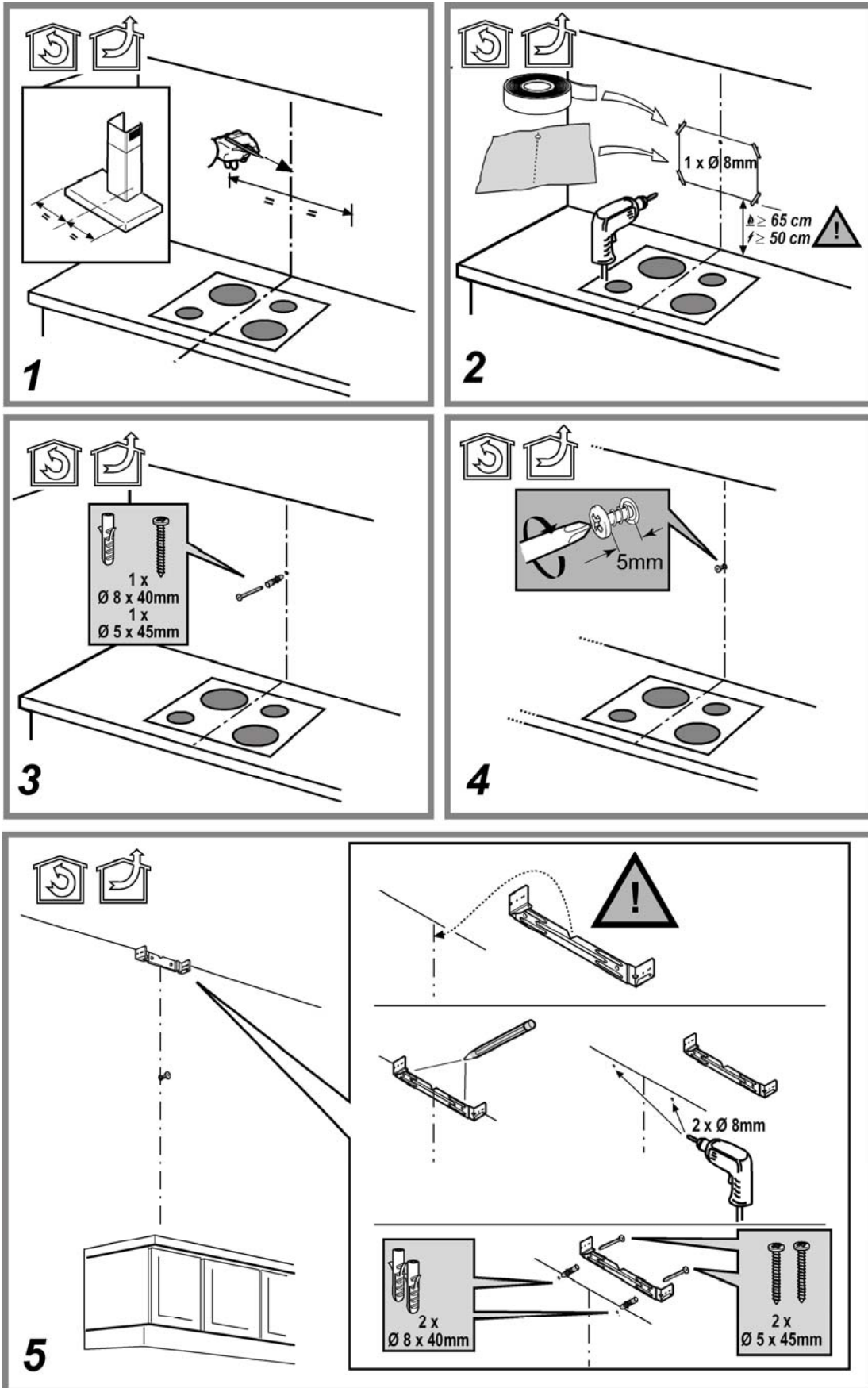
RU

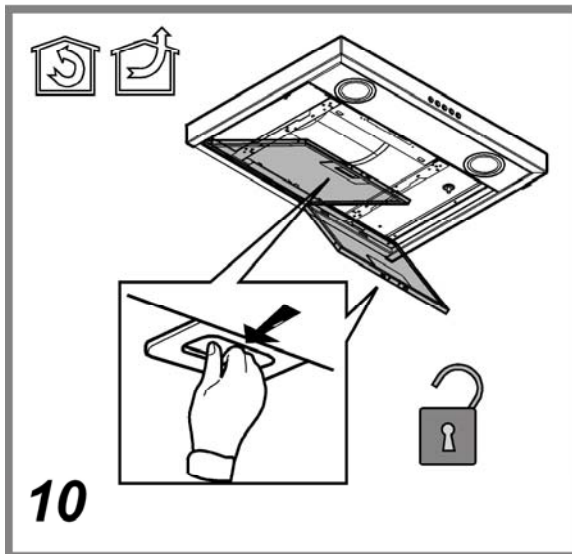
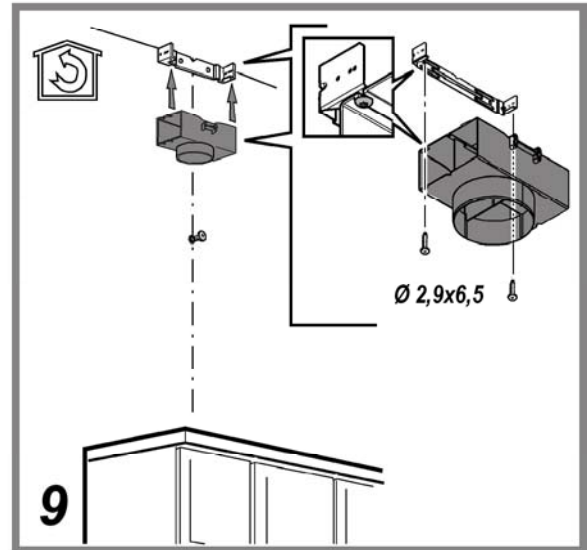
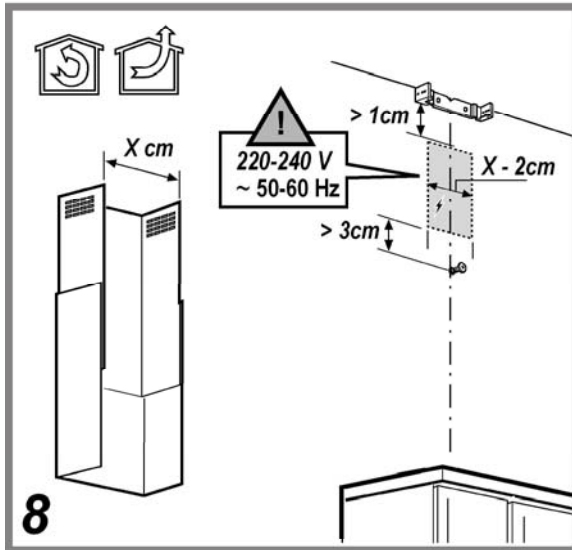
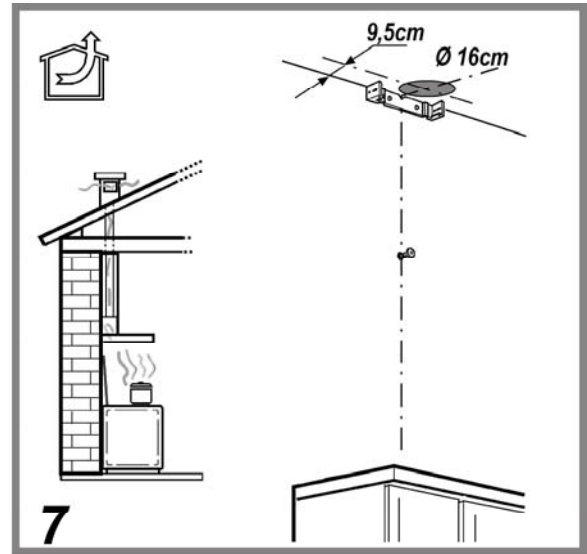
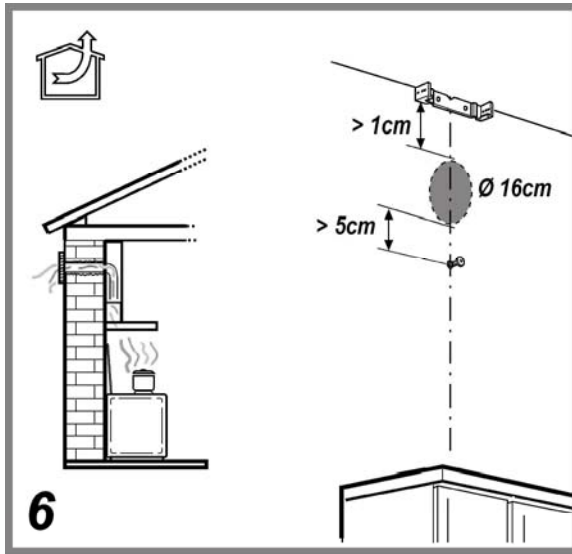
РУССКИЙ, 31

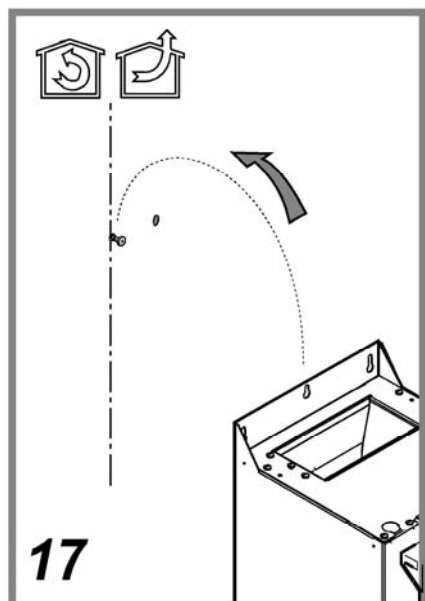
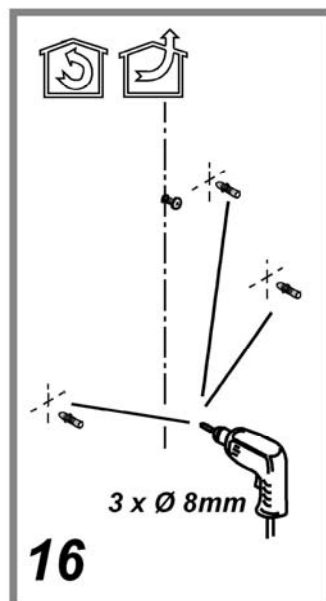
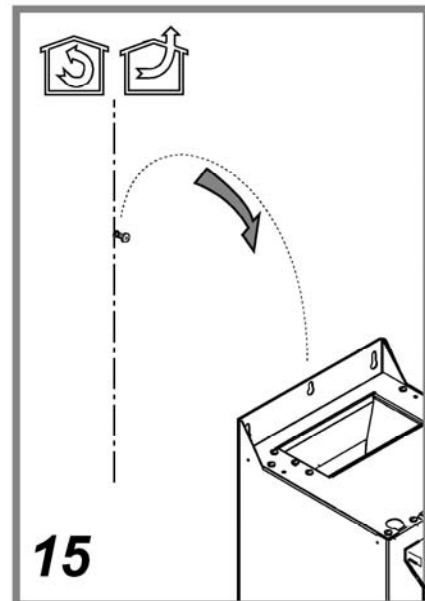
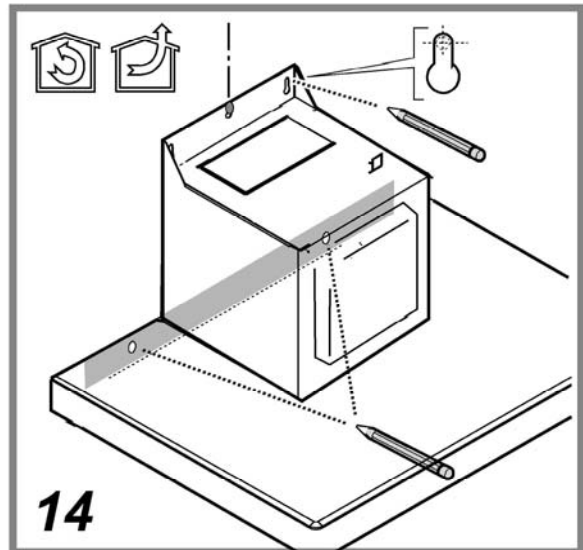
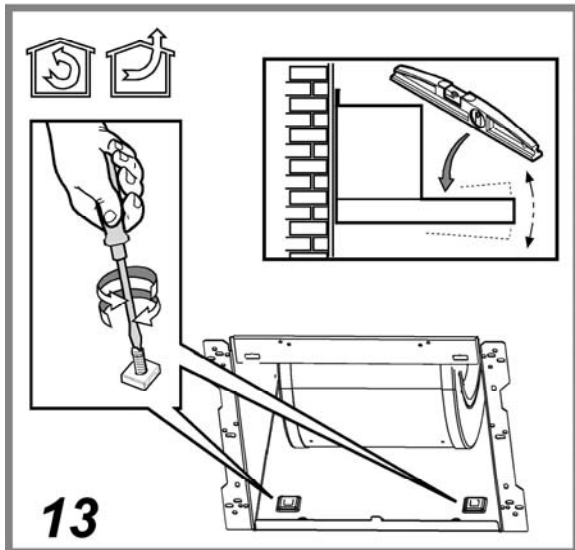
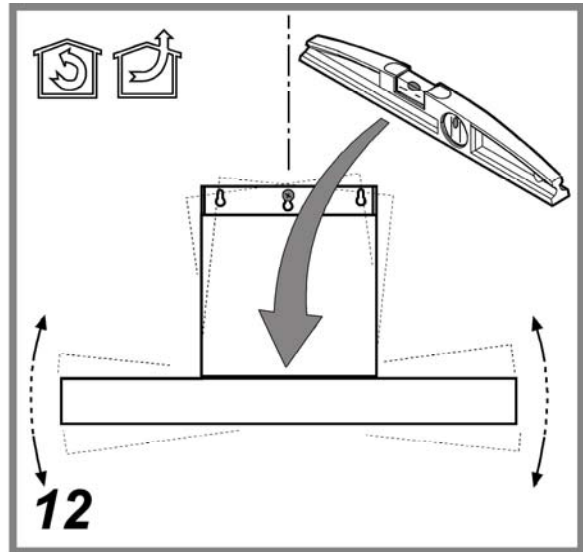
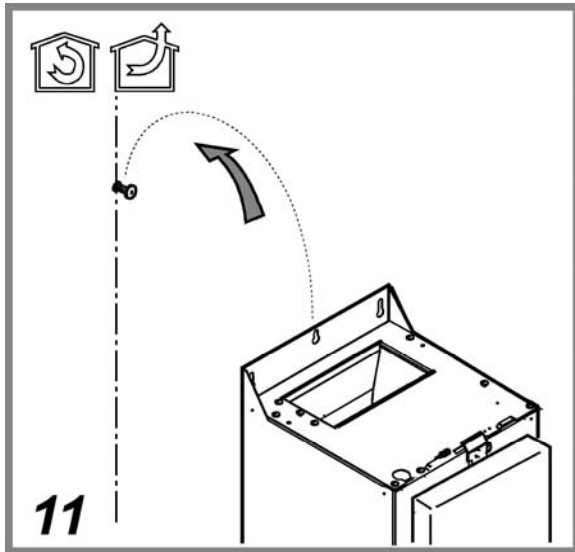
**Betriebsanleitung
Instructions for use
Mode d'emploi
Gebruiksaanwijzingen
Istruzioni per l'uso
Инструкция по
эксплуатации**

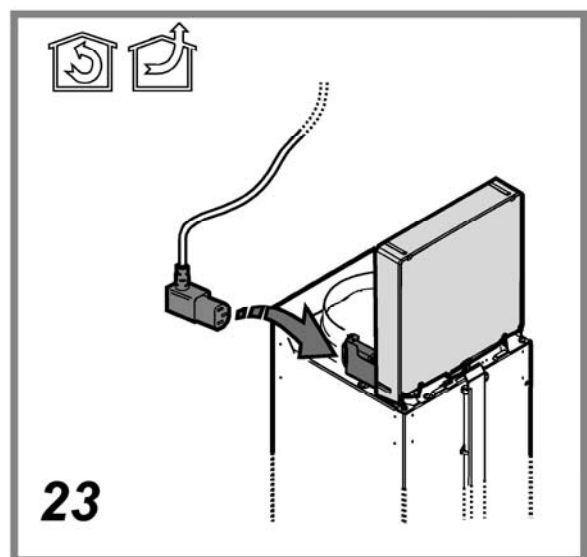
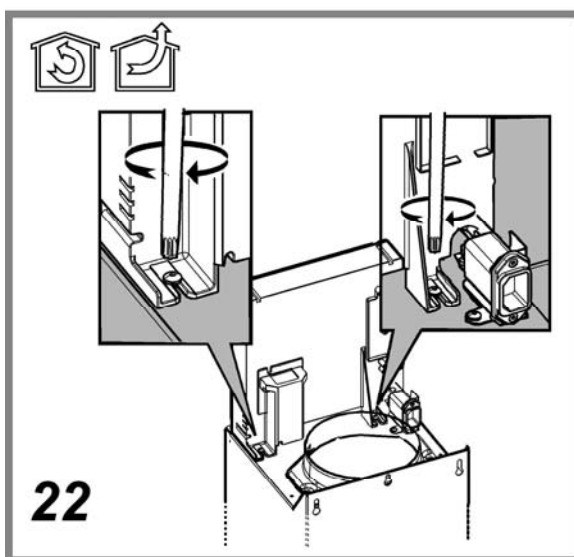
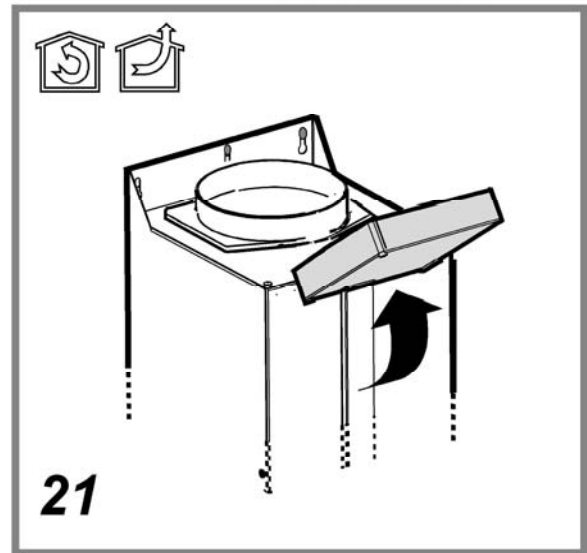
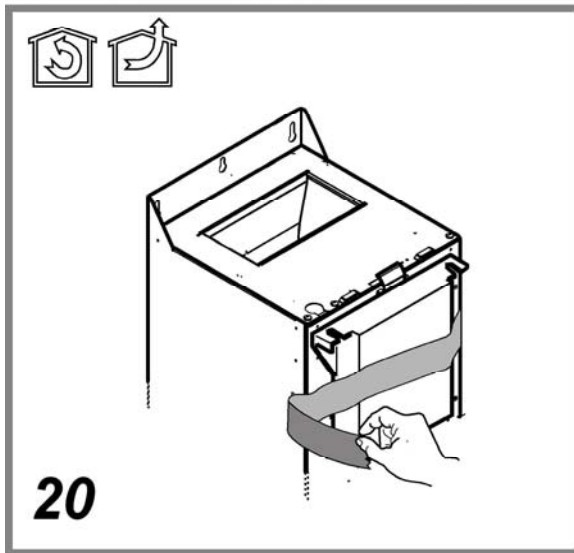
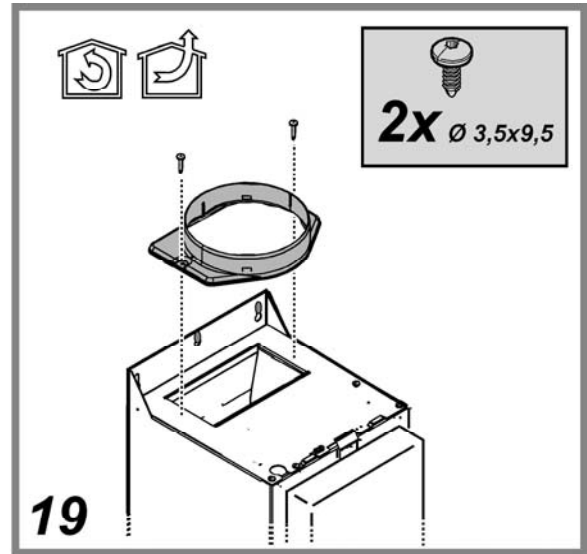
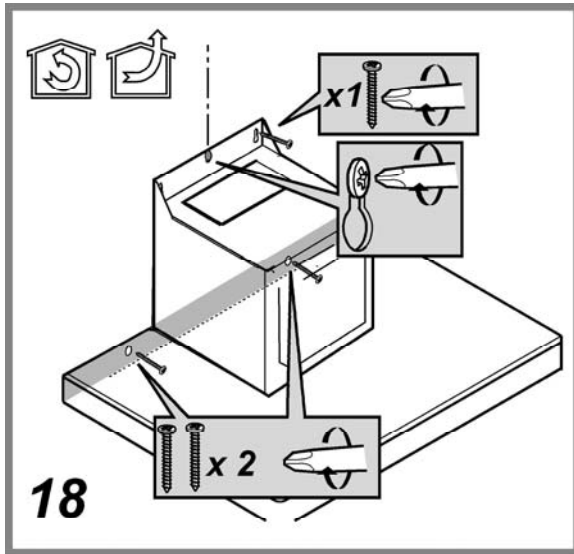
HSS 99 IX

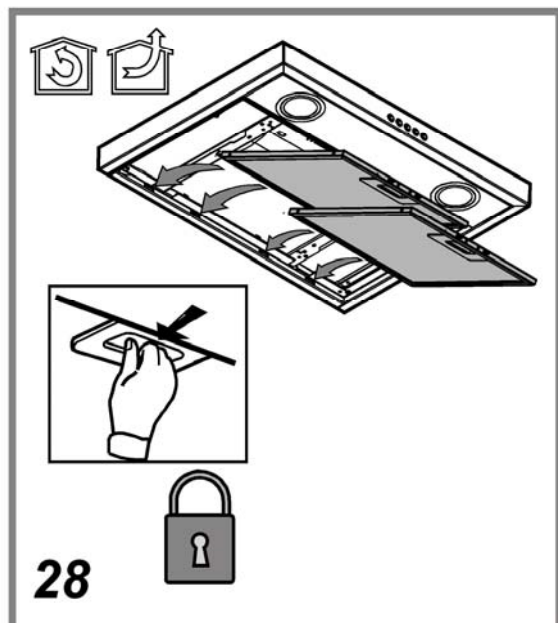
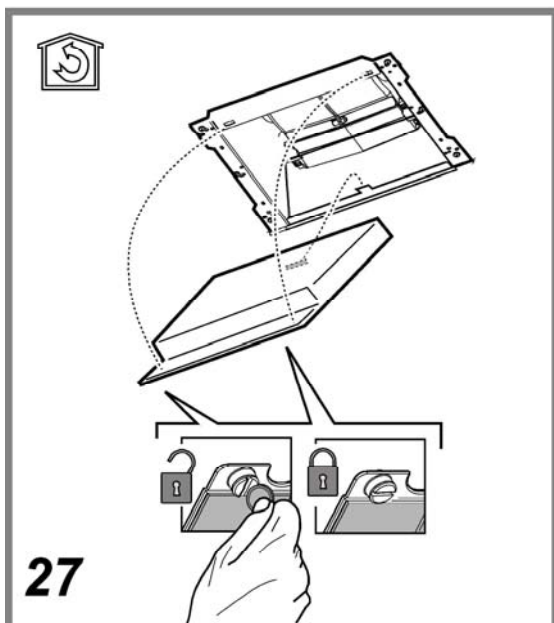
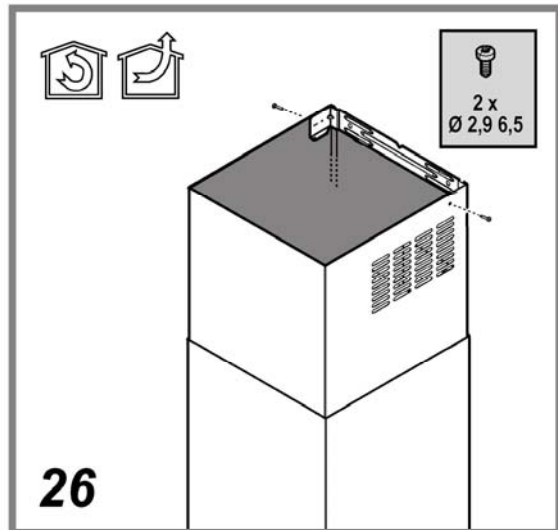
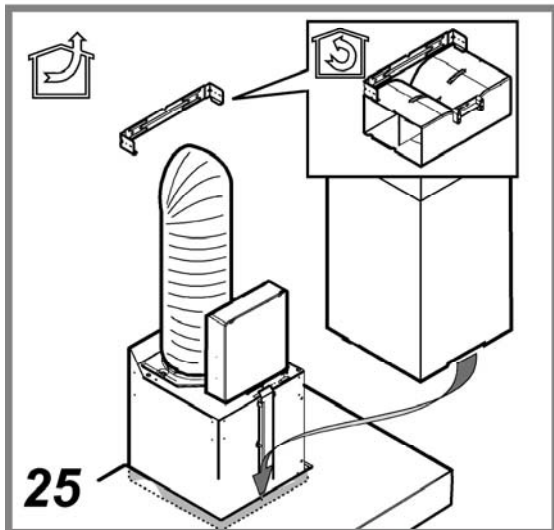
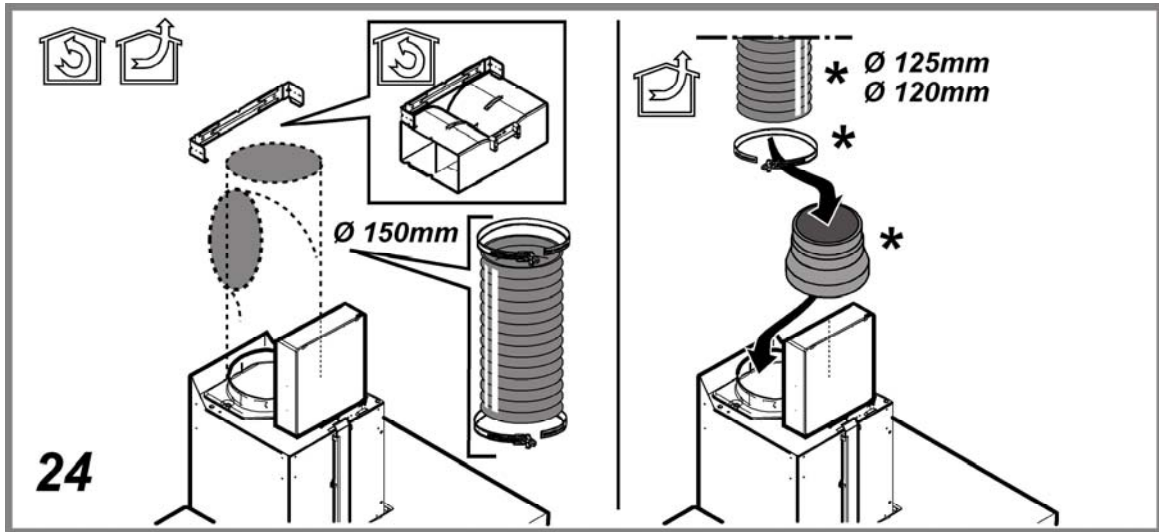












The hood can look different to that illustrated in the drawings in this booklet. The instructions for use, maintenance and installation, however, remain the same.

- ! It is important to conserve this booklet for consultation at any moment. In the case of sale, cession or move, make sure it is together with the product.
- ! Read the instructions carefully: there is important information about installation, use and safety.
- ! Do not carry out electrical or mechanical variations on the product or on the discharge conduits.

GENERAL SAFETY

The minimum distance between the supporting surface for the cooking equipment on the hob and the lowest part of the range hood must be not less than 50cm from electric cookers and 65cm from gas or mixed cookers. If the instructions for installation for the gas hob specify a greater distance, this must be adhered to.

Expansion wall plugs are provided to secure the hood to most types of walls/ceilings. However, a qualified technician must verify suitability of the materials in accordance with the type of wall/ceiling. The wall/ceiling must be strong enough to take the weight of the hood. **Do not tile, grout or silicone this appliance to the wall. Surface mounting only.**

WARNING! Do not connect the appliance to the mains until the installation is fully complete.

Before any cleaning or maintenance operation, disconnect hood from the mains by removing the plug or disconnecting the mains electrical supply.

Always wear work gloves for all installation and maintenance operations.

The appliance is not intended for use by children or persons with impaired physical, sensorial or mental faculties, or if lacking in experience or knowledge, unless they are under supervision or have been trained in the use of the appliance by a person responsible for their safety.

This appliance is designed to be operated by adults, children should be monitored to ensure that they do not play with the appliance.

This appliance is designed to be operated by adults. Children should not be allowed to tamper with the controls or play with the appliance.

Never use the hood without effectively mounted grating!

The hood must NEVER be used as a support surface unless specifically indicated.

The premises where the appliance is installed must be sufficiently ventilated, when the kitchen hood is used together with other gas combustion devices or other fuels.

The ducting system for this appliance must not be connected to any existing ventilation system which is being used for any other purpose such as discharging exhaust fumes from appliances burning gas or other fuels.

The flaming of foods beneath the hood itself is severely prohibited.

The use of exposed flames is detrimental to the filters and may cause a fire risk, and must therefore be avoided in all circumstances.

Any frying must be done with care in order to make sure that the oil does not overheat and ignite.

Accessible parts of the hood may become hot when used with cooking appliance.

With regards to the technical and safety measures to be adopted for fume discharging it is important to closely follow the regulations provided by the local authorities.

The hood must be regularly cleaned on both the inside and outside (AT LEAST ONCE A MONTH).

This must be completed in accordance with the maintenance instructions provided in this manual). Failure to follow the instructions provided in this user guide regarding the cleaning of the hood and filters will lead to the risk of fires.

Do not use or leave the hood without the lamp correctly mounted due to the possible risk of electric shocks.

We will not accept any responsibility for any faults, damage or fires caused to the appliance as a result of the non-observance of the instructions included in this manual.

ELECTRICAL CONNECTION

The mains power supply must correspond to the rating indicated on the plate situated inside the hood. If provided with a plug connect the hood to a socket in compliance with current regulations and positioned in an accessible area, after installation. If it not fitted with a plug (direct mains connection) or if the plug is not located in an accessible area, after installation, apply a double pole switch in accordance with standards which assures the complete disconnection of the mains under conditions relating to over-current category III, in accordance with installation instructions.

Warning! Before re-connecting the hood circuit to the mains supply and checking the efficient function, always check that the mains cable is correctly assembled.

Replacing the power cable

The hood is provided with a special power cable ; if the cable is damaged, request a new one from Technical Service.

AIR VENT

(for the suction versions)

Connect the hood and discharge holes on the walls with a diameter equivalent to the air outlet (connection flange).

Using the tubes and discharge holes on walls with smaller dimensions will cause a diminution of the suction performance and a drastic increase in noise.

Any responsibility in the matter is therefore declined.

- ! Use a duct of the minimum indispensable length.
- ! Use a duct with as few elbows as possible (maximum elbow angle: 90°).
- ! Avoid drastic changes in the duct cross-section.
- ! Use a duct with an as smooth as possible inside.
- ! The duct must be made of certified material.
- ! The company declines any responsibility whenever these regulations are not respected.

FILTERING OR DUCTING ?

! Your cooker hood is ready to be used in suction version.

To use the hood in filtering version the special ACCESSORY KIT must be installed.

Check on the first pages of this manual if the ACCESSORY KIT is furnished or must be bought separately.

Note: If furnished, in certain cases, the additional activated carbon filtering system may be installed on the hood.

Information about the conversion of the hood from suction version to filtering version is present in this manual.



Ducting version

In this case the fumes are conveyed outside by means of a special pipe connected with the connection ring located on top of the hood.

Attention! The exhausting pipe is not supplied and must be purchased apart.

Diameter of the exhausting pipe must be equal to that of the connection ring.

In the horizontal runs the exhausting pipe must be slightly slanted (about 10°) and directed upwards to vent the air easily from the room to the outside.

Attention! If the hood is supplied with active charcoal filter, then it must be removed.



Filter version

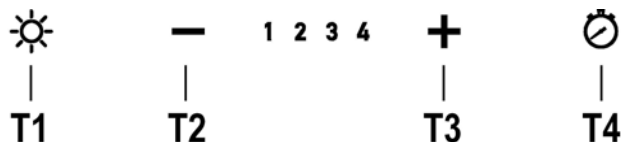
One active charcoal filter is needed for this and can be obtained from your usual retailer.

The filter removes the grease and smells from the extracted air before sending it back into the room through the upper outlet grid.

CONTROLS

Use the high suction speed in cases of concentrated kitchen vapours. It is recommended that the cooker hood suction is switched on for 5 minutes prior to cooking and to leave in operation during cooking and for another 15 minutes approximately after terminating cooking.

To select the functions of the hood just touch the commands.



T1. Lights ON/OFF

T2. Speed decrease

Press "T2" button to decrease the speed from 4 (intensive) to 1.

Press "T2" button during operation at speed 1, the hood sets to OFF.

T3 Speed increase

Press T3 button and the hood sets from OFF to speed 1.

Press the button (hood ON) to increase the speed of the motor from 1 to 4 (intensive).

The respective LED goes on for each speed.

Speed 1 LED 1

Speed 2 LED 2

Speed 3 LED 3

Speed 4 LED 4

T4 Speed timing

Speed timing is activated by pressing T4 button, when timing is up the hood switches off.

Timing is divided as follows:

Speed 1 - 20 minutes (LED 1 flashing)

Speed 2 - 15 minutes (LED 2 flashing)

Speed 3 - 10 minutes (LED 3 flashing)

Speed 4 - 5 minutes (LED 4 flashing)

During timed operation press T2 button and the hood quits the timed mode and decreases the speed.

Press T3 button and the hood quits the timed mode and increases the speed.

Press T4 button and the hood quits the timed mode maintaining the set speed.

Grease filter signal

After 40 hours of operation LED 1 flashes.

When such signal appears the grease filter installed needs to be washed.

To reset the signal, keep T4 button pressed for 5".

The hood gives out a "BEEP" and LED 1 stops flashing.

Charcoal filter signal

After 160 hours of operation LED 2 flashes.

When such signal appears the charcoal filter installed must be replaced.

To reset the signal, keep T4 button pressed for 5".

The hood gives out a "BEEP" and LED 2 stops flashing.

In case of contemporaneous signalling of both filters, LEDs 1 and 2 flash alternatively.

To reset, carry out the procedure described above for 2 times.

The first time it resets the charcoal filter signal, the second time it resets the grease filter signal.

The charcoal filter signal is not active in the standard mode.

In case the hood is used in filter version it is necessary to enable the charcoal filter signal.

Activating charcoal filter signal:

Set the hood to OFF and press T4 button for 5".

Once the button has been pressed, the LEDs related to the filter signals currently active light up.

The hood gives out a "BEEP" and LED 2 flashes for 2".

LEDs 1 and 2 remain on for about 2" before the hood goes back to OFF.

Deactivating charcoal filter signal:

Set the hood to OFF and press T4 button for 5".

Once the button has been pressed, the LEDs related to the filter signals currently active light up.

The hood gives out a "BEEP" and LED 2 switches off.

LED 1 remain on for about 2" before the hood goes back to OFF.

MAINTENANCE

ATTENTION! Before performing any maintenance operation, isolate the hood from the electrical supply by switching off at the connector and removing the connector fuse.

Or if the appliance has been connected through a plug and socket, then the plug must be removed from the socket.

Cleaning

The cooker hood should be cleaned regularly (at least with the same frequency with which you carry out maintenance of the fat filters) internally and externally. Clean using the cloth dampened with neutral liquid detergent. Do not use abrasive products. **DO NOT USE ALCOHOL!**

WARNING: Failure to carry out the basic cleaning recommendations of the cooker hood and replacement of the filters may cause fire risks.

Therefore, we recommend observing these instructions.

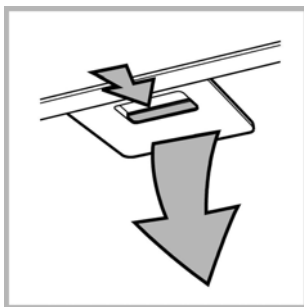
The manufacturer declines all responsibility for any damage to the motor or any fire damage linked to inappropriate maintenance or failure to observe the above safety recommendations.

Maintenance of the anti-grease filters

Traps cooking grease particles.

The **grease filter** must be cleaned once a month using non aggressive detergents, either by hand or in the dishwasher, which must be set to a low temperature and a short cycle. When washed in a dishwasher, the grease filter may discolour slightly, but this does not affect its filtering capacity.

To remove the grease filter, pull the spring release handle.



Maintenance of the charcoal filter

It absorbs unpleasant odours caused by cooking.

The saturation of the activated charcoal occurs after more or less prolonged use, depending on the type of cooking and the regularity of cleaning of the grease filter.

In any case it is necessary to replace the cartridge at least every four months.

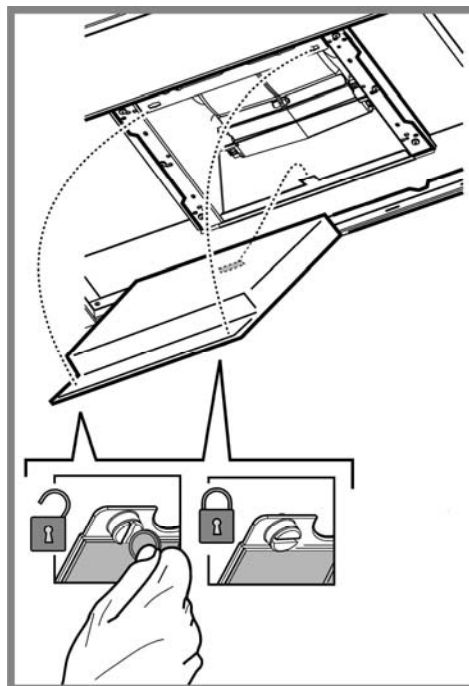
The carbon filter may NOT be washed or regenerated.

Assembly

Hook the charcoal filter at the back on the metal tongue of the hood first, then on the front with the two knobs.

Disassembly

Remove the charcoal filter by turning the knobs fixing it to the hood by 90°.

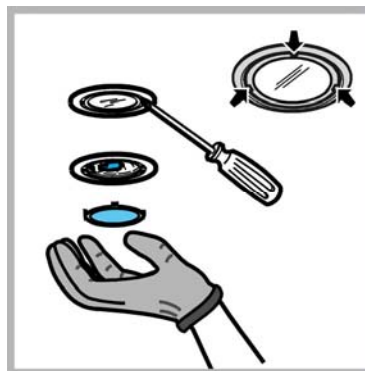


Replacing lamps

Disconnect the hood from the electricity.

Warning! Prior to touching the light bulbs ensure they are cooled down.


1. Using a flat head screwdriver or equivalent tool, carefully pry loose the light cover.
2. Remove the damaged light and replace with a new 12 Volt, 20 Watt (Maximum) halogen light made for a G-4 base SUITABLE FOR USE IN OPEN LUMINAIRES. Follow package directions and do not touch new light with bare hands.
3. Reinstall the light cover. (it will snap shut).



DISPOSAL

This appliance is marked according to the European directive 2002/96/EC on Waste Electrical and Electronic Equipment (WEEE). By ensuring this product is disposed of correctly, you will help prevent potential negative consequences for the environment and human health, which could otherwise be caused by inappropriate waste handling of this product.



The symbol  on the product, or on the documents accompanying the product, indicates that this appliance may not be treated as household waste. Instead it should be taken to the appropriate collection point for the recycling of electrical and electronic equipment. Disposal must be carried out in accordance with local environmental regulations for waste disposal.

MALFUNCTIONS

If something appears not to be working properly, do the following simple checks before calling Technical Service:

- If the hood is not working:
 - Check that:
 - The power has not been disconnected.
 - A speed has been selected.
- If the hood performs inefficiently:
 - Check that:
 - The motor speed selected is sufficient for the amount of smoke and vapours released.
 - The kitchen is sufficiently ventilated to allow air intake.
 - The charcoal filter is not worn (hood in filtering version).
- If the hood has turned off during normal functioning:
 - Check that:
 - The power has not been disconnected.
 - the omnipolar disconnection device has not tripped.

If the hood fails to operate correctly, briefly disconnect it from the mains power supply for almost 5 sec. by pulling out the plug. Then plug it in again and try once more before contacting the Technical Assistance Service.

TECHNICAL DATA

Model HSS 99 IX

Height (Ducting version) **61-114,2 cm**

Height (Filter version) **71-114,2 cm**

Width **89,8 cm**

Depth **48,7 cm**

Gross weight: **24 Kg**

Total absorption **355 W**

Motor absorption **315 W**

Lamp absorption **2x20 W (12V - G4)**

Exhaust pipe Ø **15 cm**

This appliance conforms to the following EEC Directive:

- "Low Voltage Equipment" Directive 2006/95/EC (12-12-2006)
- "Electromagnetic Compatibility" Directive 2004/108/EC (15-12-2004)



Components not provided with the product

COMMITMENT TO AFTER SALES SUPPORT

Thank you for investing in Scholtès

Scholtès products are designed to perform consistently and reliably throughout their life.

To give you further reassurance Scholtès ensures your appliance benefits from a five year guarantee.

This promise means, that if within five years from the date of purchase of your appliance it is proven to be defective Scholtès will, at its discretion, repair or replace the appliance at no additional cost.

Contact

There is a dedicated team of advisors to provide free advice and assistance with any problem you experience with a Scholtès appliance. Where necessary, Scholtès will arrange for an engineer from its specialist field support team to resolve the issue with the least disruption.

TELEPHONE FREE ON 0800 158 55 00

To help manage potential problems quickly and effectively Scholtès recommends registering all appliances. To register appliances, telephone free on 0800 158 55 00 or visit www.scholtes.co.uk.

This guarantee is subject to the following conditions:-

- The appliance has been installed and operated correctly and in accordance with the operating and maintenance instructions
- The appliance is used only on the electricity or gas supply printed on the rating plate.
- The appliance has been used for normal domestic purposes only.
- The appliance has not been altered, serviced, maintained, dismantled, or otherwise interfered with by any person not authorised by Scholtès.
- Any repair work be undertaken by Scholtès or an appointed agent
- Any parts removed during repair work or any appliance that is replaced becomes the property of Scholtès.
- The appliance is used in the United Kingdom or Republic of Ireland

The guarantee does not cover:

- Damage resulting from transportation, improper use, neglect or interference or as a result of improper installation
- Replacement of any consumable item or accessory. These included but not limited to: plugs, cables, batteries, light bulbs, fluorescent tubes and starters, covers and filters
- Replacement of any removable parts made of glass or plastic.

THE GUARANTEE WILL NOT APPLY IF THE APPLIANCE HAS BEEN USED IN COMMERCIAL OR NON DOMESTIC PREMISES

The first part of the document discusses the importance of maintaining accurate records of all transactions. It emphasizes that every entry, no matter how small, should be recorded to ensure the integrity of the financial data. This includes not only sales and purchases but also expenses, income, and any other financial activities. The document provides a detailed list of items that should be tracked, such as dates, amounts, and descriptions of each transaction. It also outlines the proper format for recording these entries, ensuring that they are clear, concise, and easy to read.

The second part of the document focuses on the process of reconciling the records. It explains how to compare the recorded transactions with the actual bank statements and receipts to identify any discrepancies. This process is crucial for detecting errors, such as double entries or missing transactions, and for ensuring that the records accurately reflect the true financial position. The document provides step-by-step instructions on how to perform a reconciliation, including how to identify and investigate any differences between the recorded amounts and the actual bank balances.

The final part of the document discusses the importance of regular reviews and audits. It emphasizes that the records should be reviewed periodically to ensure their accuracy and to identify any potential issues. This includes checking for any unusual or suspicious transactions, as well as verifying that all entries are properly supported by receipts and other documentation. The document also outlines the steps for conducting an audit, including how to select a qualified auditor and how to prepare the necessary records for review.